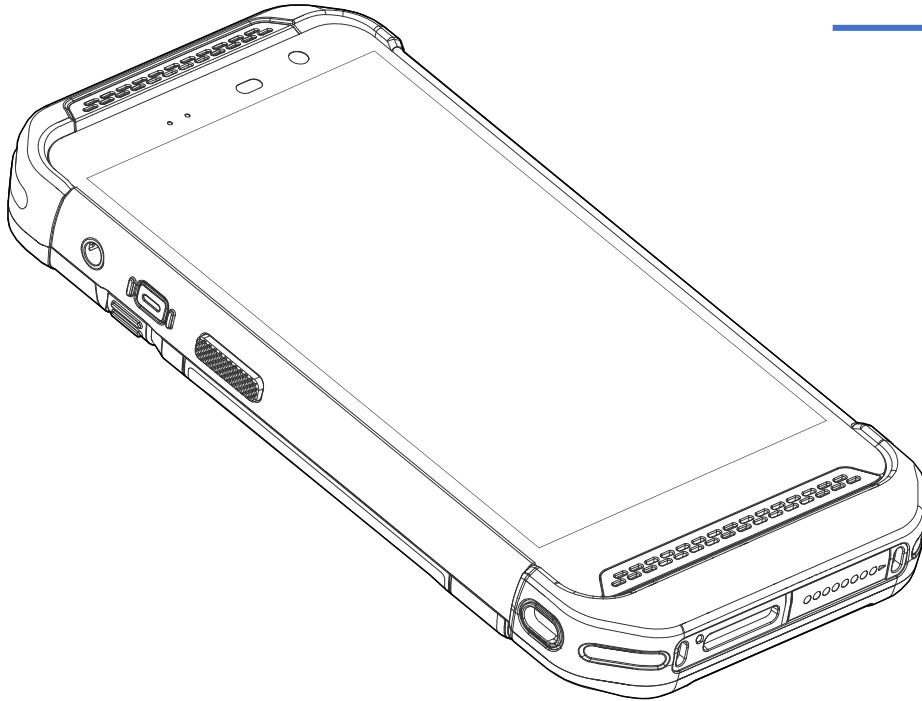


# Quick Start Guide

---

## PM86



V1.0, Aug 2023

Copyright © 2023 Point Mobile Co., Ltd. All rights reserved.

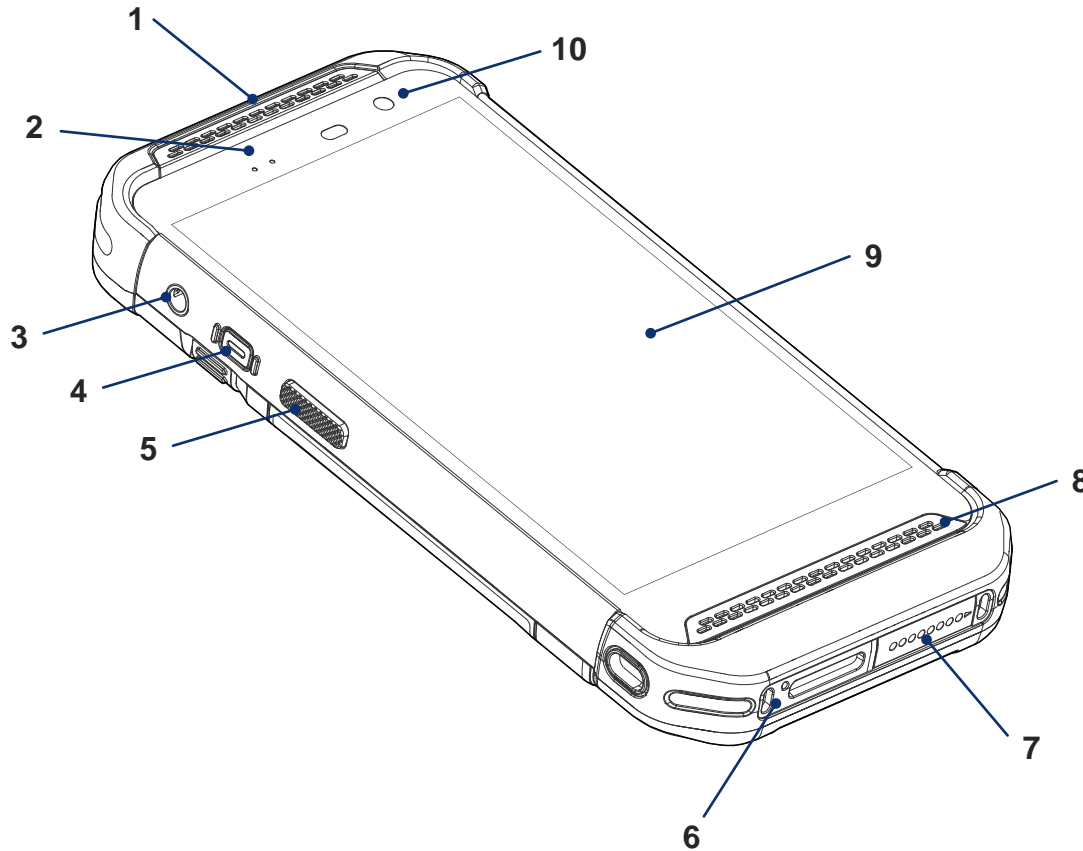
Point Mobile Co., Ltd. is the designer and manufacturer of mobile handheld devices.

The Point Mobile logo is a registered trademark and symbol of Point Mobile Co., Ltd.

Features and specifications are subject to change without prior notice.

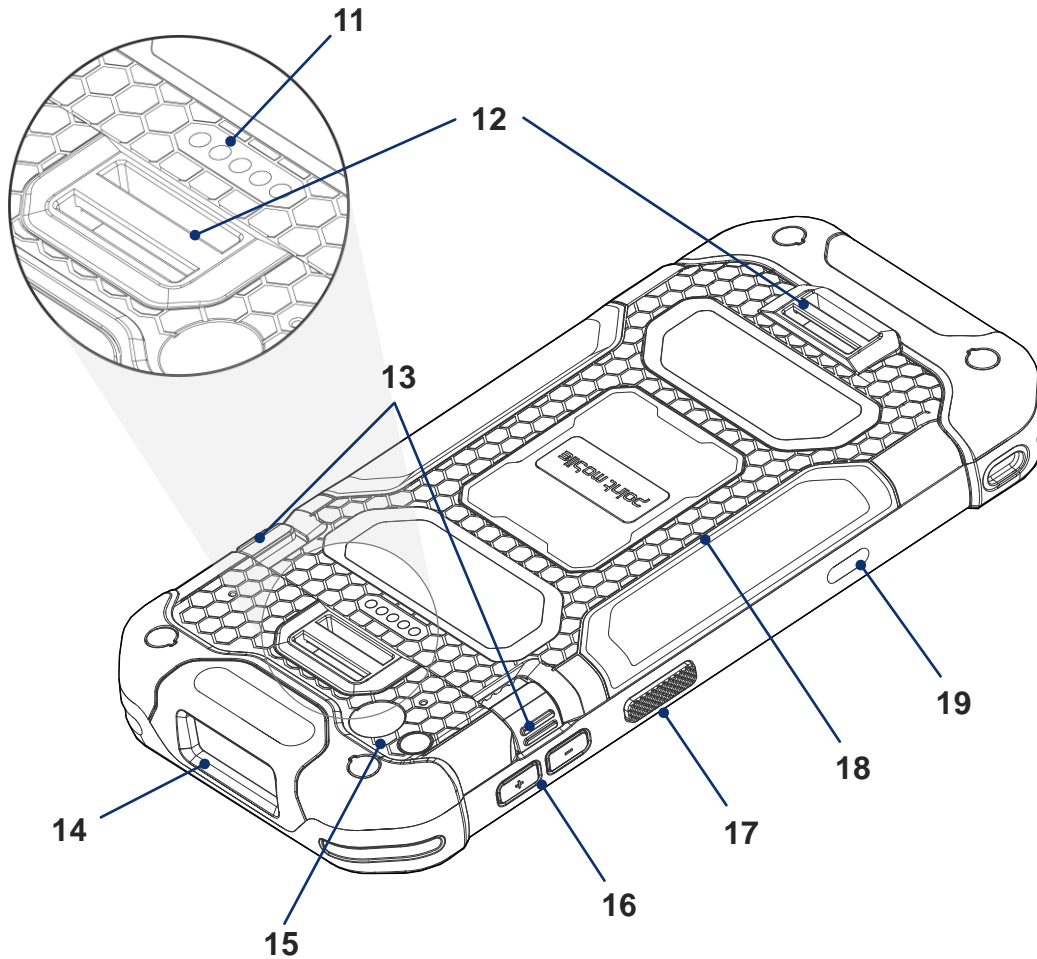


## Device Parts



1. Receiver
2. LED indicator
3. Audio jack
4. Power button
5. Scan button (Left)
6. Microphone
7. I/O connector for cradle
8. Speaker
9. Touch screen
10. Front camera

## Device Parts



- 11. Rear I/O connector
- 12. Hand strap hole
- 13. Battery release button
- 14. Scanner
- 15. Rear camera & Flashlight
- 16. Volume buttons
- 17. Scan button (Right)
- 18. Battery
- 19. USB connector

## Product Standard Accessories



Battery pack



5V 2A power adapter



AC Plug



USB type C cable



Hand strap



LCD protection film

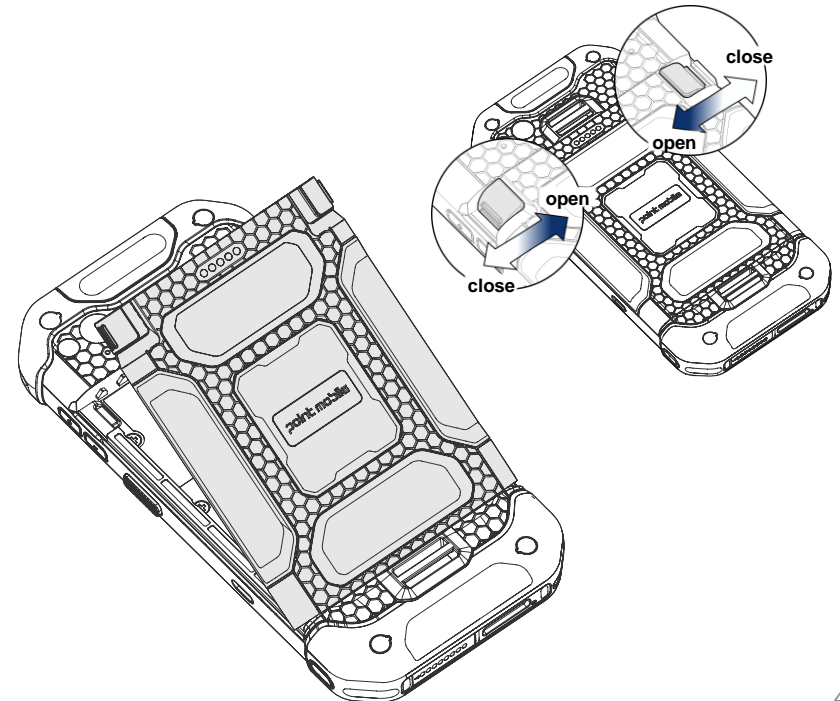
## Battery Replacement

### Insert Battery

1. Insert the battery from the bottom side (opposite side of the battery release buttons).
2. Push the battery down until it clicks.  
Confirm that the battery release buttons are completely outward.

### Remove Battery

1. Hold the battery release buttons and press in.
2. While pressing the battery release buttons in, pull the battery up.



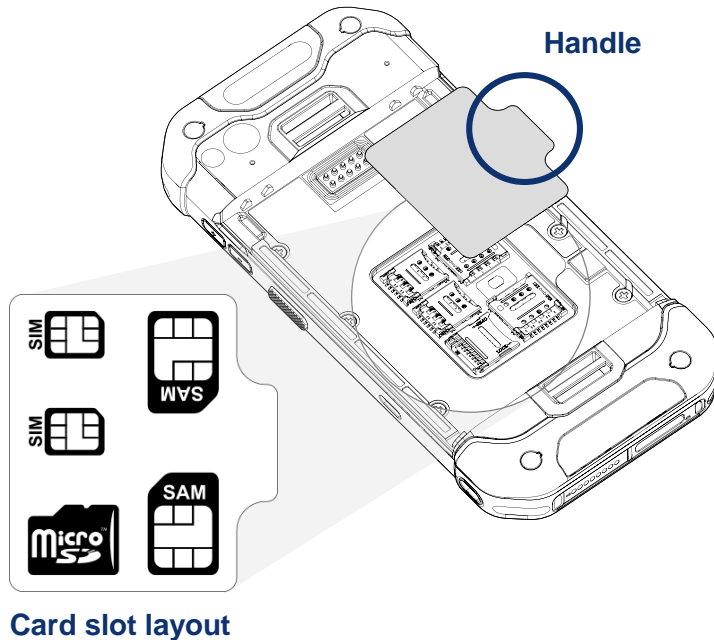
## Supported Cards & Card Slot Cover

PM86 provides

- 1 microSD card slot
- 2 Nano SIM card slots – LTE SKU only
- 2 SAM card slots – LTE + SAM SKU only

Remove the battery, and open the card slot cover to find card slots.

You can use the handle on the right side of the cover to open.

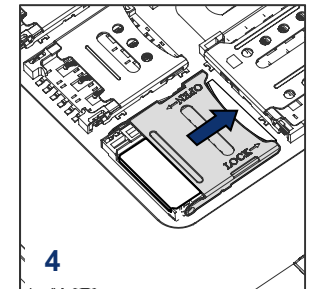
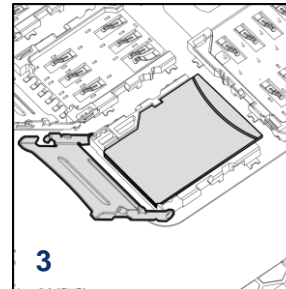
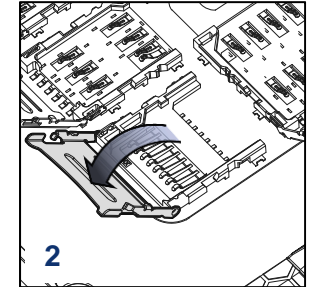
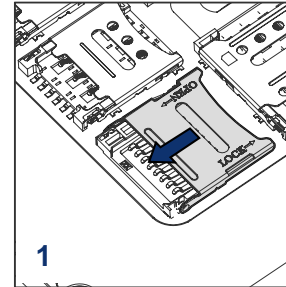


### < Notice >

Do not throw away the cover. It affects device sealing performance against water, dust, etc.

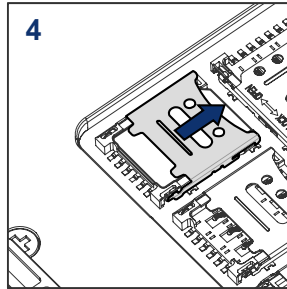
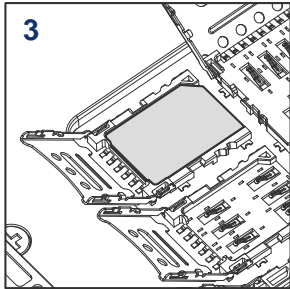
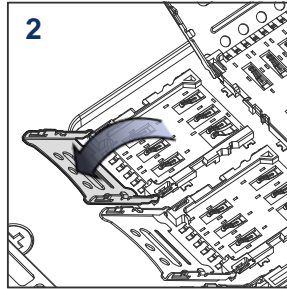
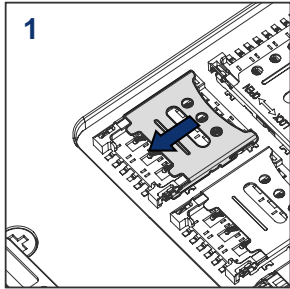
## Install SD Card

1. Gently slide the card holder left, and swing upwards to open the holder.
2. Put the SD card with the contacts facing down, close the holder, and gently slide it right to lock.



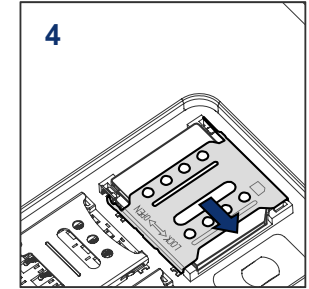
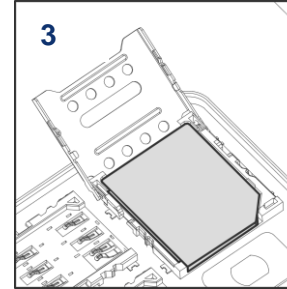
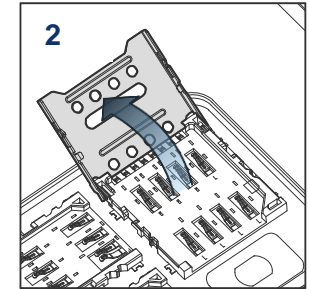
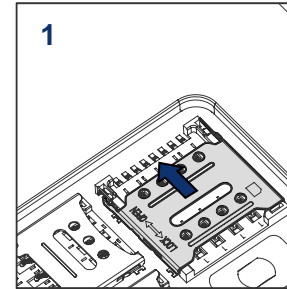
## Install SIM Card

1. Gently slide the card holder left, and swing upwards to open the holder.
2. Put the SIM card with the contacts facing down, close the holder, and gently slide it right to lock.



## Install SAM Card

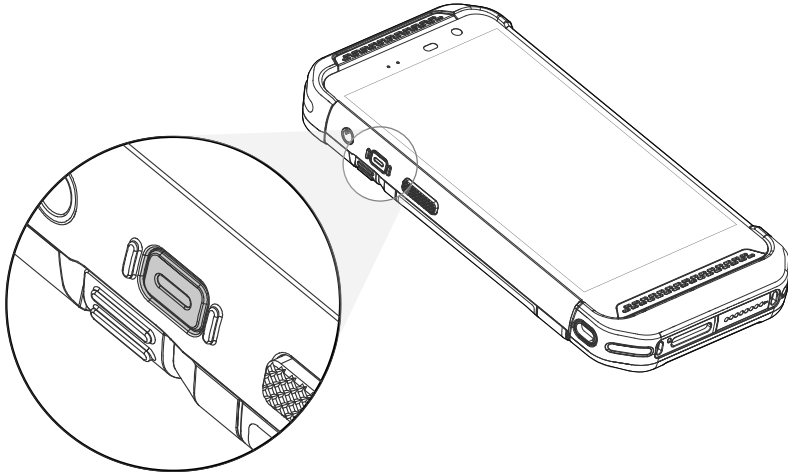
1. Gently slide the card holder up (top slot) or down (bottom slot), and swing upwards to open the holder.
2. Put the SAM card with the contacts facing down, close the holder, and gently slide it opposite direction to open.



### < Note >

PM86 LTE + SAM SKU includes two SAM slots, on the top and bottom.  
All direction to open/close the cardholders are opposite each other. The figures indicate the **top** SAM slot.

## Turning on / off



### Turn on

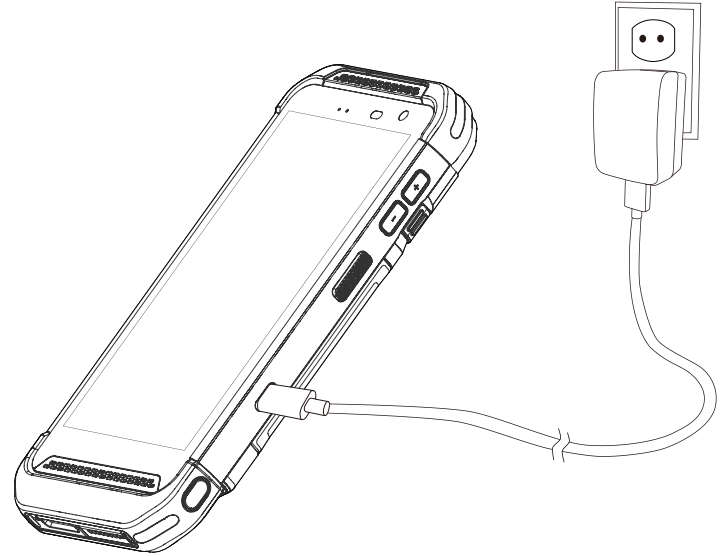
Press and hold the power button on the left side of the PM86 until **SMART BEYOND RUGGED** logo displays on the screen.

### Turn off

When the display is on, press and hold the power button until the power menu is shown.

Then, tap **Power** > **Power off**.

## Charging the Device

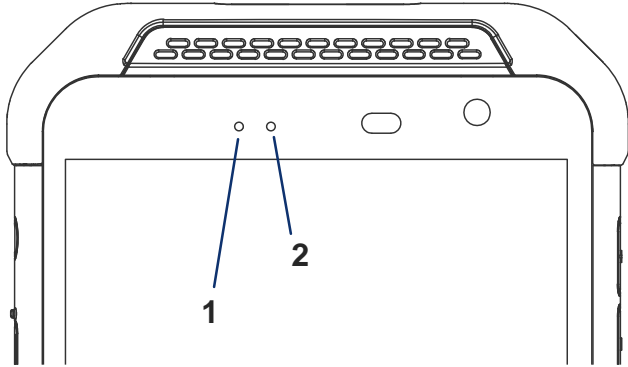


1. Assemble the AC plug, power adapter and USB cable.
  2. Connect the cable to the USB connector of PM86.
  3. Provide power by plugging the power adapter to the wall socket.
- PM86 can also be charged with charging cradle (sold separately).

### < Caution >

1. *Always use an original power supply from Point Mobile. Other chargers and cables may damage the PM86. The device warranty does not cover any damage caused by the usage of non-original power supplies.*
2. *Make sure the charger and cable is not wet.*
3. *Charge in temperatures from 0°C to 45°C.*


## LED Indicator

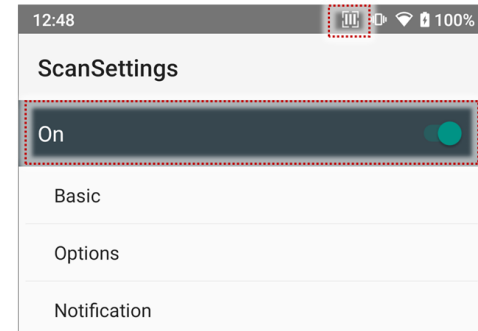


No	Indicator	Status	Indication
1	Power LED	Solid green	Device is fully charged
		Solid red	Charging the device / Battery is low
		Blinking red	Charging temperature is out of normal range / Battery is very low
		Alternately blinking red & green	Cannot recognize the battery
2	Notification LED	Blinking blue	Notification existing
		Red flash	Barcode reading failed
		Blue flash	Barcode reading success

## Scan a Barcode

Scanner is disabled by default, so enable the scanner from **ScanSettings** first.

Check if the scanner icon  is placed on the Status bar. Then, press a scan button on the device to scan a barcode.



Center the cross-hair aimer or red dot aimer over the barcode. You can tilt the aimer slightly for a comfortable angle to scan.

